

ABS submersible sludge pump JS 54

Specification

Electric submersible pump.
 Maximum submergence: 20 m. • Protection class IP 68.
 Max temperature of pumped medium at max power input and continuous duty 40°C.
 Max medium density 1100 kg/m³. • pH of the pumped medium 5-8.
 Strainer with free passage 55x45 mm. • Max no. of starts 30/hour.
 Max impeller diameter requires half motor or more submersed for continuous duty. (Pump can operate lying down.)

JS 54 D/DKS*-160** 3-phase.

JS 54 D/DKS*-175 3-phase.

*option: built in float switch, excl. 500V

**Impeller diameter for duty with low water level or intermittent dry running.

Electric Motor

3-phase squirrel-cage induction motor, 50 Hz.
 Service factor 1.1. Class F insulation.
 Motor rating P₂: 5.2 kW. Speed: 2850 rpm

Voltage, V	230	400	500
Nominal current, A	19.1	11	8.4

Starting Method

D.O.L. start with built-in contactor.
 D.O.L. start with built-in SoftDrive (400-460V).
 When used with VFD, pump must be equipped with terminal block instead of contactor.

Power Cable

20 m type S1BN8-F (standard cable):
 4 x 2.5 sq.mm. (230-500V)

20m NSSHÖU.../3E (heavy duty cable):
 3x1.5+3x1.5/3E (230-500V)

Motor Protection

Built-in thermal switches in the stator windings (140°C, ±5), connected to built-in contactor.

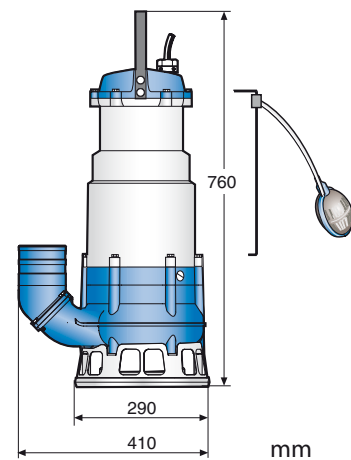
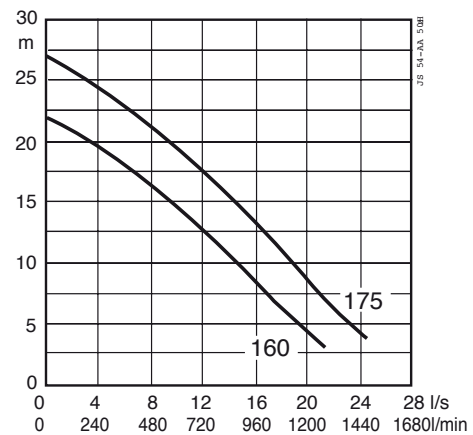
Shaft Seal

Double mechanical seal in oil bath.
 Primary seal: Silicon carbide on silicon carbide.
 Secondary seal: Stainless steel on antimony treated carbon.

Bearings

Upper bearing: Single-row deep groove ball bearing.
 Lower bearing: Double angular contact ball bearing.

GB 50 Hz



Discharge Connections

3", 4" (standard) hose connections.
 3", 4" B.S.P. threaded connections.

Weight (without cable)

54 kg

Options and Accessories

Zinc anodes • Surface protection coating
 Electronic motor supervision • Starter and control units
 Automatic level control unit • Floatation system • Repair kit
 Discharge connection accessories and hose

Materials		EN	ASTM
Motor housing	Aluminium	EN 1706: AC-43100	ASTM AlSi10mg
Handle and fasteners	Stainless steel	10088:X5CrNi18-10 (1.4301)	AISI 304
Rotor shaft	Stainless steel	10088:X20Cr13 (1.4021)	AISI 420
Volute and impeller	Nodular cast iron	1563:ENGJS-HB150	ASTM A 536-80: 60-40-18
O-rings	Nitrile rubber		